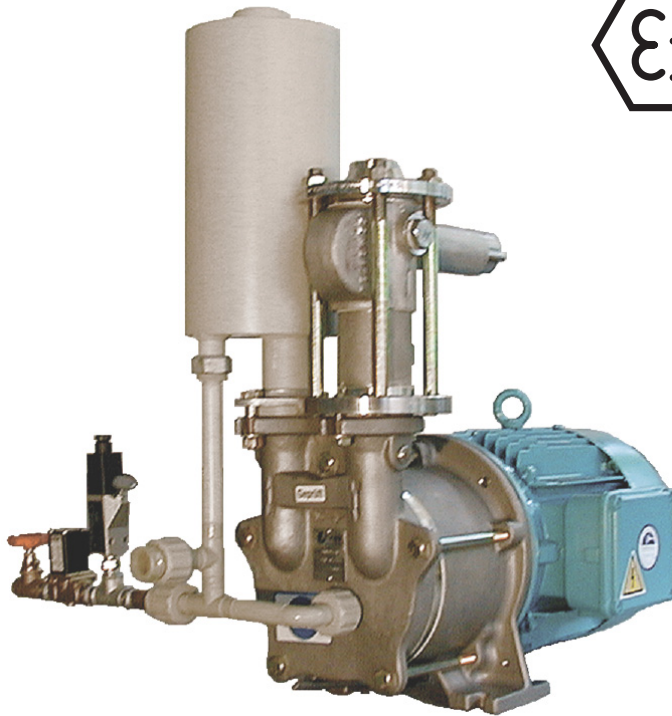


Liquid-ring pumps for vacuum or compressor duty



Types

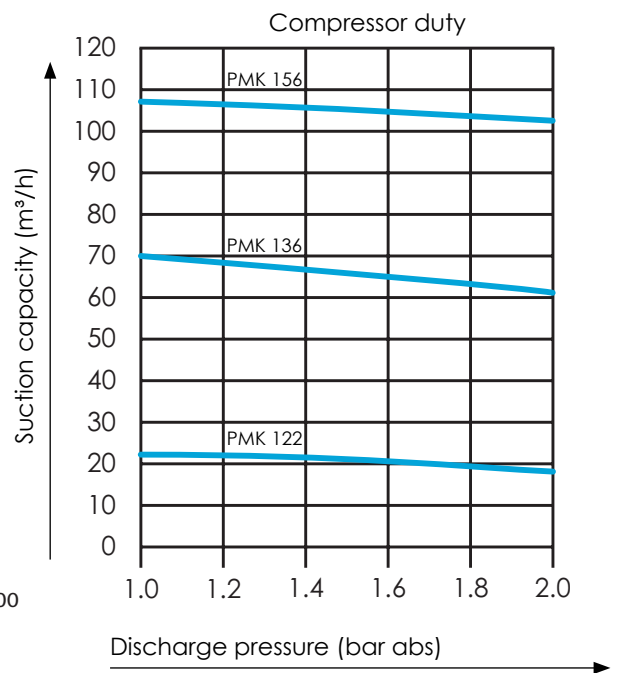
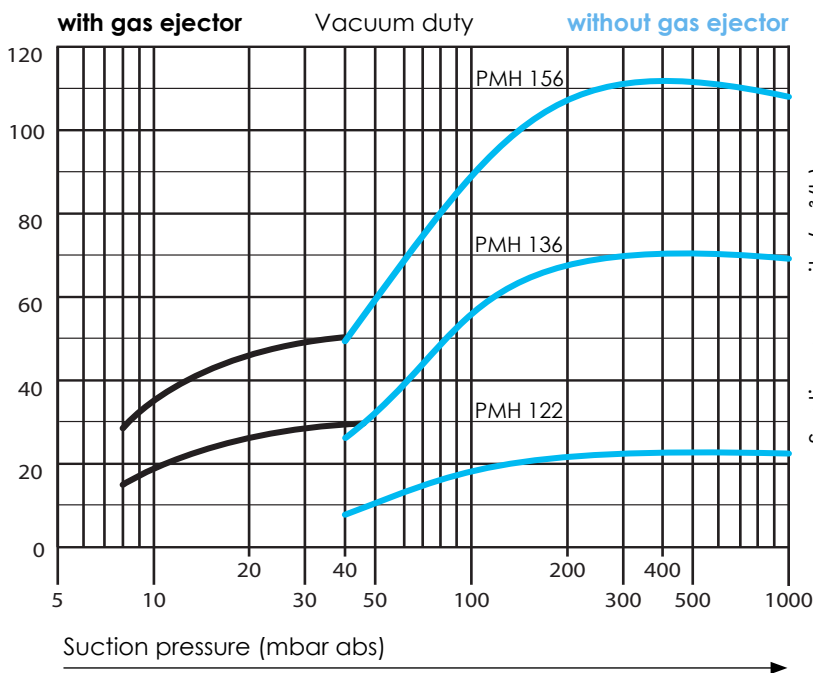
PMH/PMK 122 to 156

The compact monoblock pumps for vacua down to 40 mbar (8 mbar with gas ejector)
Overpressure up to 2 bar abs

Features and advantages

- Sturdy
- Cold compression
- Not sensitive to impurities nor liquids
- Conformity with ATEX
- With mechanical seal
- Low power requirement
- Low ring-liquid requirement
- Simple concept
- Quiet running
- Low maintenance
- Self-priming
- Safe operation
- Reduced space requirements
- Simple installation

Suction capacity



The performance curves indicate effective suction capacities at given pressure of the respective pumps with a tolerance of $\pm 10\%$ for the following operation conditions:

- Intake of dry air with a temperature of 20°C
- Ring liquid: water with an inlet temperature of 15°C
- Ambient pressure 1013 mbar abs
- Electric motor 50 Hz

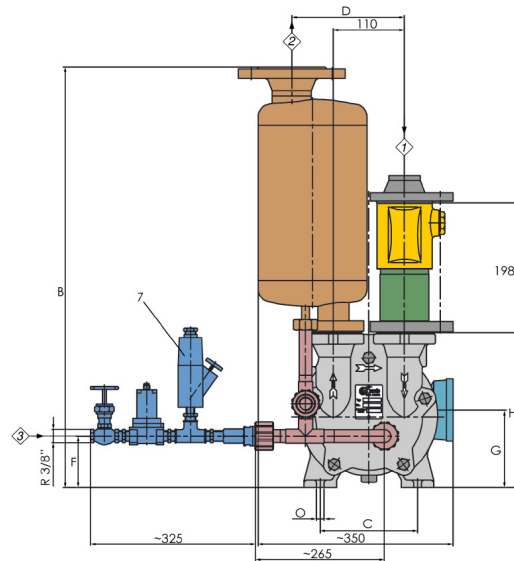
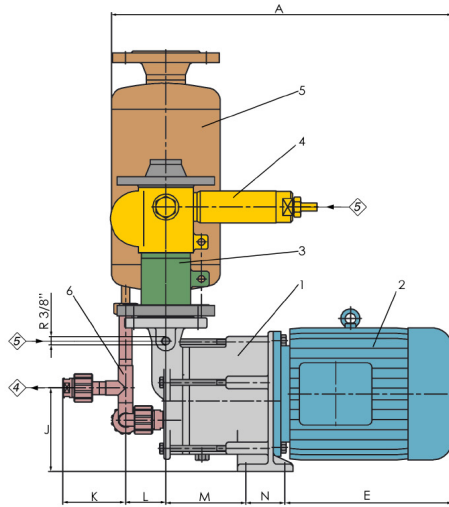
Construction materials

Part	Execution B	Execution C	Execution D	Execution H
Pump body	cast iron	cast iron	stainless steel	Hastelloy
Casting cover	cast iron	cast iron	stainless steel	Hastelloy
Port plate	bronze	stainless steel	stainless steel	Hastelloy
Impeller	bronze	stainless steel	stainless steel	Hastelloy

Materials (example)

stainless steel 1.4435 / 1.4408
 bronze GK-CU AL 9 NI
 cast iron EN-GJL-200
 hastelloy C-22
 Assigned materials in accordance with offer / confirmation of order

Dimensions



	A	B	C	D	E	F	G	H	J	K	L	M	N	O
PMH 122														
B/C with motor IP 54	~390	~535	150	~124	~230	80	120	230	125	97	61	48	60	4x12
B/C/D with motor EEx e II T3	~470	~535	150	~124		80	120	230	125	97	61	75	60	4x12
PMH 136														
B/C with motor IP 54	~490	~660	150	~157	~290	80	120	240	130	97	73	95	60	4x12
B/C/D with motor EEx e II T3	~530	~660	150	~157		80	120	240	130	97	73	124	60	4x12
PMH 156														
B/C with motor IP 54	~550	~715	200	~157	~350	108	150	298	158	97	73	78	80	4x14
B/C/D with motor EEx e II T3	~690	~715	200	~157		108	150	298	158	97	73	112	80	4x14

- 1 Vacuum pump
- 2 Motor
- 3 Non-return valve
- 4 Gas ejector
- 5 Liquid separator
- 6 Economy circuit
- 7 Automatic ring-liquid control

Technical data

Size	Installed motor rating IP54/ EEx e II T3 kW	Speed 1/min	Ring liquid flow l/h	Weight with motor IP54/ EEx e II T3 kg	Noise level db (A)	Inlet 1	Outlet 2	Kavitation-protection* 5 R	Ring-liquid pipe * 3&4 R
122	0.75/1.1	2900	200	23/28	70	DN25/PN 6	DN25/PN 6	3/8"	3/8"
136	2.2/2.5	2900	250	35/38	72	DN40/PN 6	DN40/PN 6	3/8"	3/8"
156	4.0/4.6	2900	500	60/65	72	DN40/PN 6	DN40/PN 6	3/8"	3/8"

*Deviations are reserved

Design concept

Electric motor, directly flanged to the pump body. Impeller mounted on an extended motor shaft. Mechanical shaft seal.

Class of protection:
 Totally enclosed, fan-cooled, IP 54 resp. EEx e II T3, 50 Hz (other classes of motor protection and 60 Hz frequency on request).

Accessories

Non-return valve (3)

Gas ejector (4)
 For pressure down to 8 mbar abs.

Liquid separator (5)
 Polypropylene or stainless steel

Economy circuit (6)
 With the economy circuit, combined with liquid separator, the consumption of ring-liquid can be reduced, up to one half of its normal quantity, depending on the required vacuum.

Automatic ring-liquid control (7)
 consisting of regulating valve, pressure guard, solenoid valve and stop valve.



NSB Gas Processing AG
 Reinacherstrasse 129
 CH-4053 Basel, Switzerland
 Telephone ++41 61 338 18 18
 Telefax ++41 61 338 18 00
 E-mail info@nsbgas.com
 Homepage www.nsbgas.com